

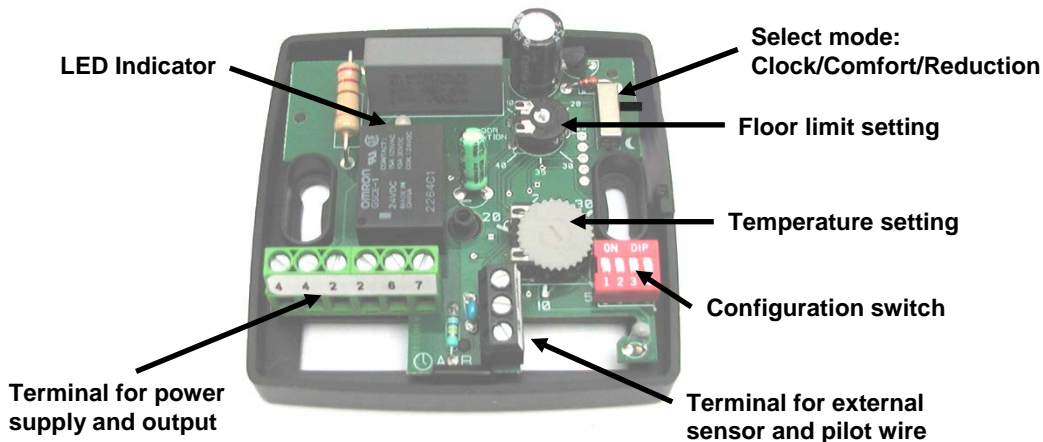
17.02.24-01EN



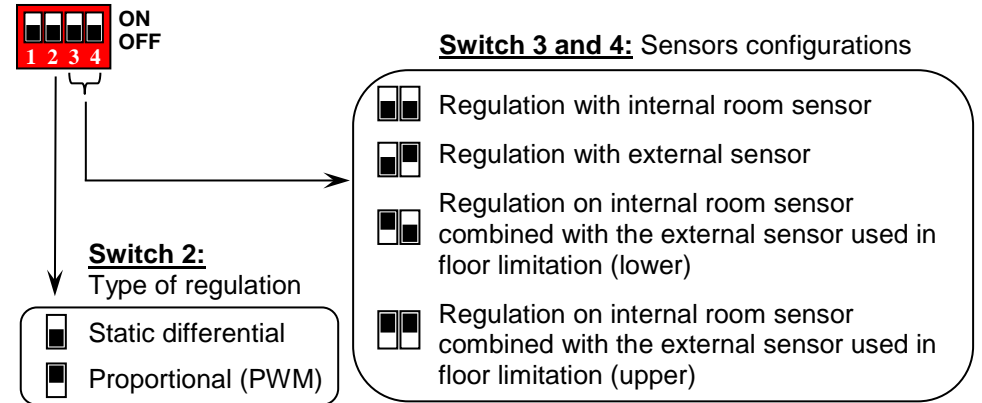
Optional external sensor 10 kΩ at 25°C

DESCRIPTION

- Electronic thermostat with “dual sensing” for electrical heating systems: radiant panels, underfloor heating, panel radiators etc.
- Equipped with a 3-position switch to select different function modes:
Clock = Night reduction with 4°C, by pilot wire (external clock)
Comfort = Normal operation
Reduction = Fixed reduction of 4°C
- Possibility to regulate either the room or floor temperature, or combined (in this case, the optional floor sensor is used as a temperature limiter).



CONFIGURATION SWITCH



LED INDICATOR

- Red:** Heating indication
- Green:** Reduction mode by external clock (pilot wire)
- Orange:** Heating indication during reduction mode by external clock
- Green blinking:**
 - 0.5 second cycle => Internal and external sensor failures
 - 1 second cycle => Internal sensor failure
 - 2 seconds cycle => External sensor failure

TECHNICAL CHARACTERISTICS

Operating voltage, power supply	230V~ +/- 10%
Rated current / Relay	10A resistive load, 230V~
Appliance and protection class	Class II - IP30
Setting range, temperature	5°C – 30°C (41°F – 86°F)
Operating temperature	0°C – 50°C (32°F – 122°F)
Switching differential	0.1°C (0.2°F)
Regulation characteristics	Proportional band 10 min for 2K or static differential 0.5K
Floor limitation, temperature range	10°C – 40°C (50°F – 104°F)
Optional external floor sensor	NTC (10 kΩ), Class II, 3 meter