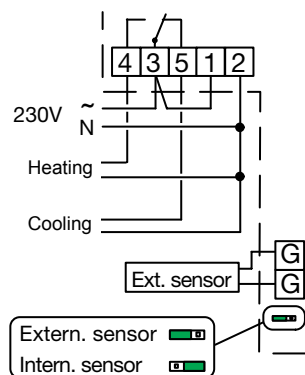
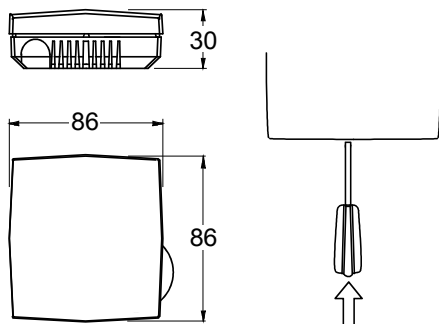


## T99-ERS



**Read this instruction before installation and wiring of the product**

**ENERGOTECH**  
ENERGY EFFICIENT HEATING SYSTEMS

18.11.02-01MIL

## INSTRUCTION

### One step room thermostat

T99-ERS is a single-step room thermostat with a change-over relay for either heating or cooling. The thermostat can not however be used for simultaneous control of both heating and cooling. T99-ERS may be used with the internal or an external sensor.

### Installing

- Remove the front cover by depressing the plastic tongue in the middle of the lower edge with a screwdriver. See fig 1.
- Mount the T99-ERS on the wall. The screw pockets have a c/c distance of 60 mm to fit on a wallbox.
- If the thermostat is to be used with the internal sensor it should be mounted approximately 1.5 m above floor level at a location with a representative temperature.
- Connect the wiring for the supply voltage, the output and, when used, the external sensor according to the wiring diagram.
- Set the jumper next to the sensor terminals to the position indicated for the choice of sensor you have made.
- As external sensor a Energotech TG-type sensor must be used.

### Technical data

Supply voltage	230 VAC +/-15%, 50-60Hz.
Relay	16A 230V AC change over.
Setting range	0...30°C.
Switching differential	1K.
Protection class	IP30.

### Wiring

1. 230 VAC Supply voltage.  
Connect to terminal 3.  
If the relay is to be used potential free, wire the supply voltage directly to terminal 1.
2. Supply common.
3. Relay contact common.
4. Relay contact heating.
5. Relay contact cooling.
- G-G External sensor.

## ENGLISH



### Low Voltage Directive (LVD) standards

This product conforms to the requirements of the European Low Voltage Directive (LVD) standards EN 60730-1 and EN 60730-2-1.

### EMC emissions & immunity standards

This product conforms to the requirements of the EMC Directive 2004/108/EC through product standards EN 61000-6-1 and EN 61000-6-3.

### RoHS

This product conforms to the Directive 2011/65/EU of the European Parliament and of the Council.

### Contact

Energotech AB  
Firmagatan 5  
SE-213 76 Malmö, Sweden

Tel: +46 40 866 90  
info@energotech.se  
www.energotech.com